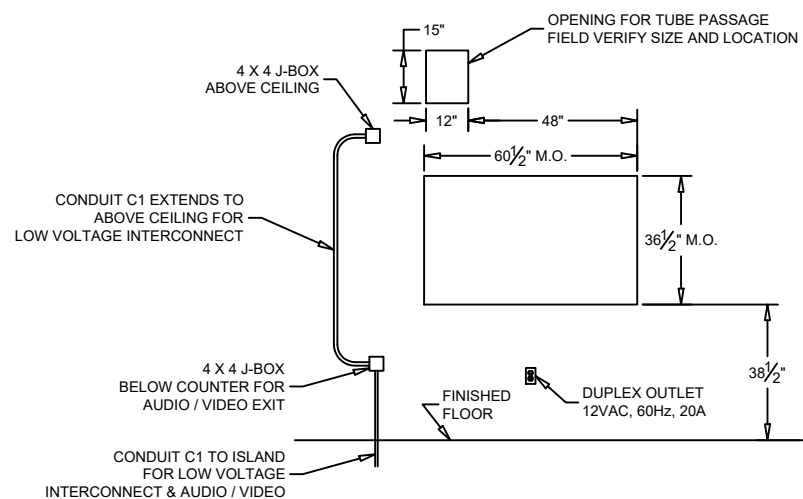
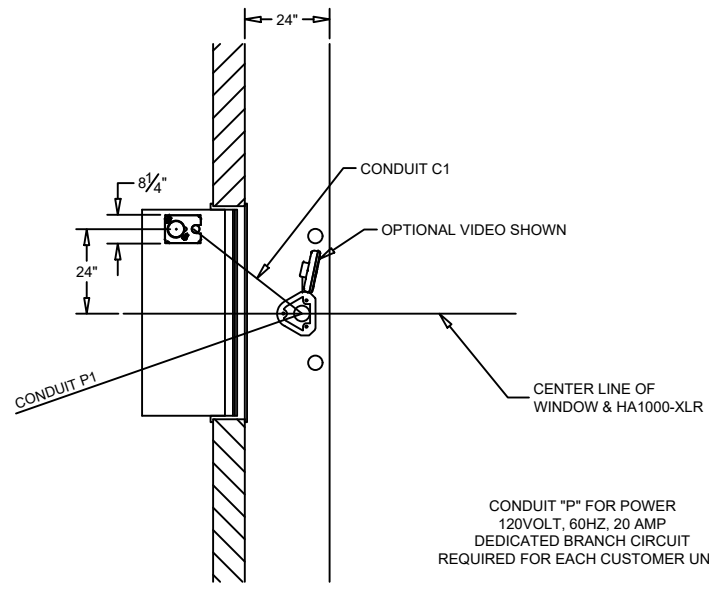


SECTION



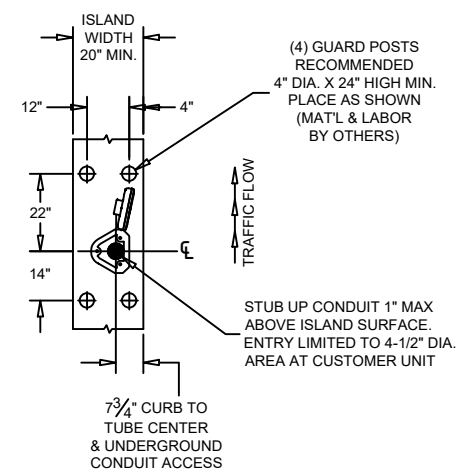
MASONRY DETAIL  
(FOR MODEL 035V U.L. WINDOW)



PLAN

NOTE: CONDUIT "P" TO BUILDING POWER PANEL  
CONDUIT "C" TO JUNCTION BOX BELOW COUNTER  
AND EXTENDED ABOVE CEILING TO TELLER AREA

CONDUIT "P" FOR POWER  
120VOLT, 60HZ, 20 AMP  
DEDICATED BRANCH CIRCUIT  
REQUIRED FOR EACH CUSTOMER UNIT.



ISLAND DETAIL

ADDITIONAL DRAWINGS TO REFERENCE:  
95-699, 99-915, & 99-1140

est. 1967 <b>HAMILTON</b> CUSTOM MADE SECURITY	PROPRIETARY AND CONFIDENTIAL THESE DRAWINGS ARE THE PROPERTY OF HAMILTON SAFE CO. AND SHALL NOT BE REPRODUCED, COPIED, USED AS THE BASIS FOR MANUFACTURE OR SALE OF APPARATUS WITHOUT PERMISSION	DESCRIPTION	
		PNEUMATIC TUBE SYSTEMS MODEL HA1000-XLR '101' SYSTEM - OVERHEAD TUBING	
DRAWING/MODEL NUMBER		99-1145	DATE
			10/8/2021